

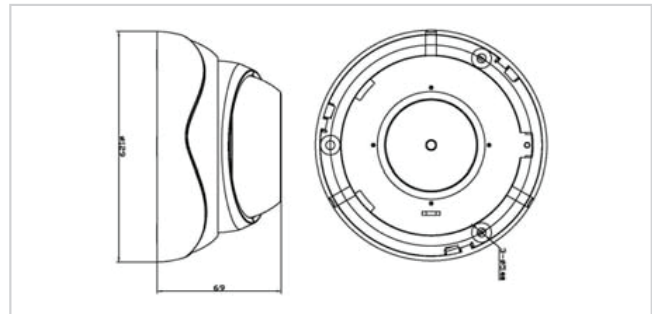


DS-2CC502/512/592N-IR1 Color IR Dome Camera

- Compact design
- 1/3" Sony Super HAD CCD
- Minimum Illumination: 0.1Lux/F1.2 (0 LUX with IR)
- Day/night auto switch
- Auto white balance, auto gain control, electronic shutter control and backlight compensation
- Weather Proof: IP66 standard



Unit: mm



Specifications

		DS-2CC502N-IR1	DS-2CC512N-IR1	DS-2CC592N-IR1
Camera	Image Sensor	1/3 inch SONY Super HAD CCD		
	Effective Pixels	NTSC: 510 (H) × 492 (V)	NTSC: 768 (H) × 494 (V)	NTSC: 768 (H) × 494 (V)
	Horizontal Resolution	420TVL	480TVL	540TVL
	Signal System	NTSC		
	Min. Illumination	0.1Lux @ F1.2 (0 LUX with IR)		
	Electronic Shutter Speed	1/50 (1/60)s to 1/100,000s		
	Synchronization	Internal Synchronization		
	Video Output	1Vp-p Composite Output (75Ω / BNC)		
	S/N Ratio	More than 48 dB		
	BLC	ON		
Lens	Lens	6mm (3.6mm, 2.8mm option)		
	IR Distance	Approx 10 to 20 meters		
General	Water and Dust Resistance	IP66		
	Power Supply	12VDC, ±10%		
	Power Consumption	3W MAX		
	Working Temperature	-10°C ~ 60°C		
	Dimensions(mm)	89.5×60 (3.56"×2.38")		
	Weight	400g (0.88lbs)		