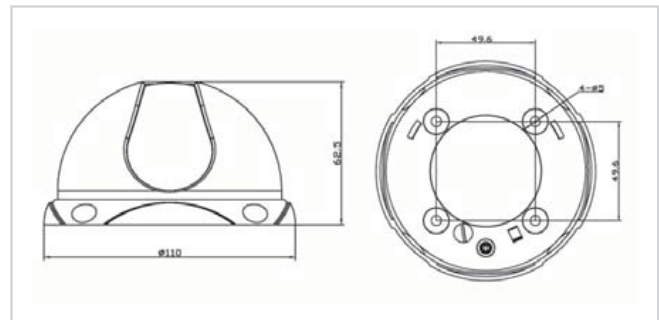




DS-2CC532N CMOS-based Color Dome Camera

- Compact design
- 1/4" CMOS
- Day/night with auto switch
- Auto white balance, auto gain control, electronic shutter control and backlight compensation
- Internal synchronization

Unit: mm



Specifications

		DS-2CC532N
Camera	Image Sensor	1/4 inch CMOS
	Effective Pixels	640 (H) × 480 (V)
	Horizontal Resolution	480TVL
	Signal System	NTSC
	Min. Illumination	0.1Lux @ F1.2
	Electronic Shutter Speed	1/25s to 1/15,000s
	Day&Night	Electronic
	Synchronization	Internal Synchronization
	Video Output	1Vp-p Composite Output (75Ω / BNC)
	S/N Ratio	More than 48 dB
Lens	BLC	ON
	Lens	3.6mm @ F2.0 (6mm, 8mm, 12mm, 16mm option)
General	Power Supply	12VDC, ±10%
	Power Consumption	2W MAX
	Working Temperature	-10°C ~ 60°C
	Dimensions(mm)	Φ110 × 62 (Φ4.36" × 2.46")
	Weight	330g (0.72lbs)